

# About Us

Establish in 2023, a roller shutter manufacturer specializing lead by a team of professional members come with their skills and professionalism, which determines the best quality of product.

ALP SHUTTER TECHNOLOGIES SDB BHD - provide in high quality roller shutter installation, maintenance, repair work and after-sale service to meet our customer satisfaction and to ensure our products are high quality standard .



## Mission

To provide the best quality to fulfil customer satisfaction and requirement.



## Vision

We are committed to be a leader in fire industry to provide top notch product.



# Fire Shutter series



4 Hour Insulated G.T. Strip Ceramic Composite Shutter



2 Hour Uninsulated Fire Shutter



[alpshuttertechnologies.com](http://alpshuttertechnologies.com)

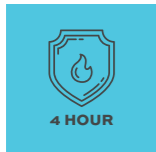


[alptechnologies2@gmail.com](mailto:alptechnologies2@gmail.com)



ALP SHUTTER TECHNOLOGIES SDN BHD 202301031213 (1525136-T)  
Lot 1849, KPB 10, Balakong, 43300 Seri Kembangan, Selangor

[alpshuttertechnologies.com](http://alpshuttertechnologies.com)

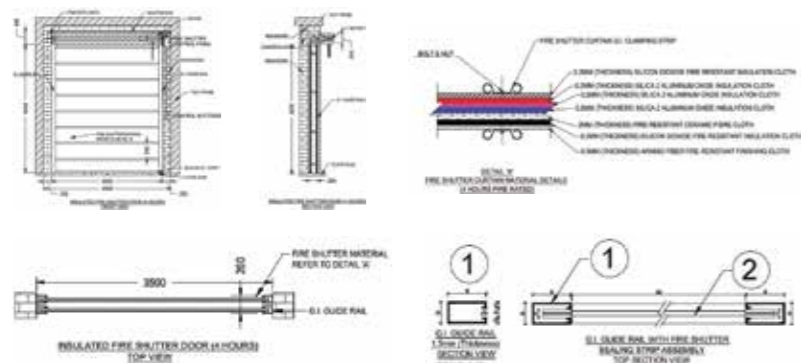


## 4 Hour Insulated G.T. Strip Ceramic Composite Shutter

4 Hour Insulated G.T. Strip Ceramic Composite Shutter Is a composite product of fire-resistant cloth and fire insulating materials. Light design with better function compares with steel roller shutter. The lifting belt is used to lift the inorganic reproof rolling door. Under the lifting force, the curtain folds and rises to the top of the hole. In the event of smoke or fire, the curtain falls from the top to the ground and unfolds into a at surface, sealing the entire hole.

### Technical Specification

Typical dimension & design for standard roller shutter



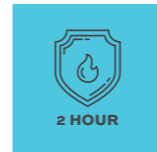
**Guide Rail :**  
The track adopts a 1.5mm thick galvanized steel rail.

The curtain is made of four layers of fireproof material, which are decorative cloth, fireproof cloth, asphalt and radiation protection cloth.

Easy to install and debut, product is lightweight.

Fire resistance time:  
Two & Four hours

Recommended install for character rooms, supermarkets, commercial buildings, exhibition halls, underground garages, and entertainment venues Fire compartment separation of buildings Fireproof cloth.



## 2 Hour Uninsulated Fire Shutter

- A wind resistant rolling shutter door is a door that is connected in series with multi joint movable door pieces, and rotates up and down in a fixed slide centered on the scroll above the door.
- Adopts double-layer aluminum alloy plate or one-time rolling forming, with high strength and tight sealing.
- The foam filled in the middle of the profile effectively maintains indoor temperatures and saves energy consumption.
- The curtain adopts a biting link process, which has a certain degree of toughness.
- Automatically rebounds and is not easily deformed.
- Vertical, Horizontal and Lateral Sliding purpose design.
- Motorized and Non-motorized method of closure.
- **Fire Resistance Time:** 2 hour
- Recommended install for outdoor shop lot, indoor business or shopping mall.

### Material characteristics

The characteristics of European style hollow roller shutter doors include anti-theft, cold resistance, insulation, sun protection, sound insulation, weather resistance, and anti peeping.



### Multiple Color Can be Selected

